

VM55L-Z**55”****500nits FHD Video Wall**

Key Feature

- ADSDS Technology
- FHD Resolution
- 500nits
- 7 × 24 Operation
- 25% Haze, 3H
- 50000H Operation Time
- Auto Gamma and HDR Calibration
- 1.7mm Slim Bezel
- RS232 Control
- Landscape & Portrait Installation Support
- VESA Mounting Interface

Specification

Model	VM55L-Z
Display	
Screen Size (Diagonal)	55 inch
Native Resolution	1920 (H) × 1080 (V)
Active Area	1209.6 (H) × 680.4(V)
Physical Joint	1.7mm
Aspect Ratio	16 : 9
Brightness	500 cd/m ²
Haze	25%, 3H
Contrast	1200:1
View Angle	178°(H) / 178°(V)
Display Color	16.7M
Response Time	8ms
Operation Time	7 × 24H
Life Time	50,000 Hrs (Typ.)

Interface	
HDMI In	× 2 (HDMI 2.0)
DP In	× 2 (DP 1.2)
DP Out	× 1 (Daisy Chain, up to 4K input)
Audio Out	× 1 (3.5mm stereo jack)
RS232 In	× 1 (RJ45, Common used for IR in)
RS232 Out	× 1 (RJ45, Support IR OUT)
USB	× 1 (2.0, Firmware update only)

Power	
Power Supply	AC 100~240V 50/60Hz
Power Consumption	240W(Typ)
Power Consumption(Stand by)	≤0.5W

Environment	
Operation Temperature	0°C~50°C
Operation Humidity	10%~80% RH
Storage Temperature	-20°C~60°C
Storage Humidity	5%~90% RH

Specification

Model

VM55L-Z

Physical

Color

Black

Body Size (mm)

1212.4x683.3x95

Package Size (mm) (2 sets)

1360x840x380

Set Weight

27.9kg

Package Weight (2 sets)

69kg

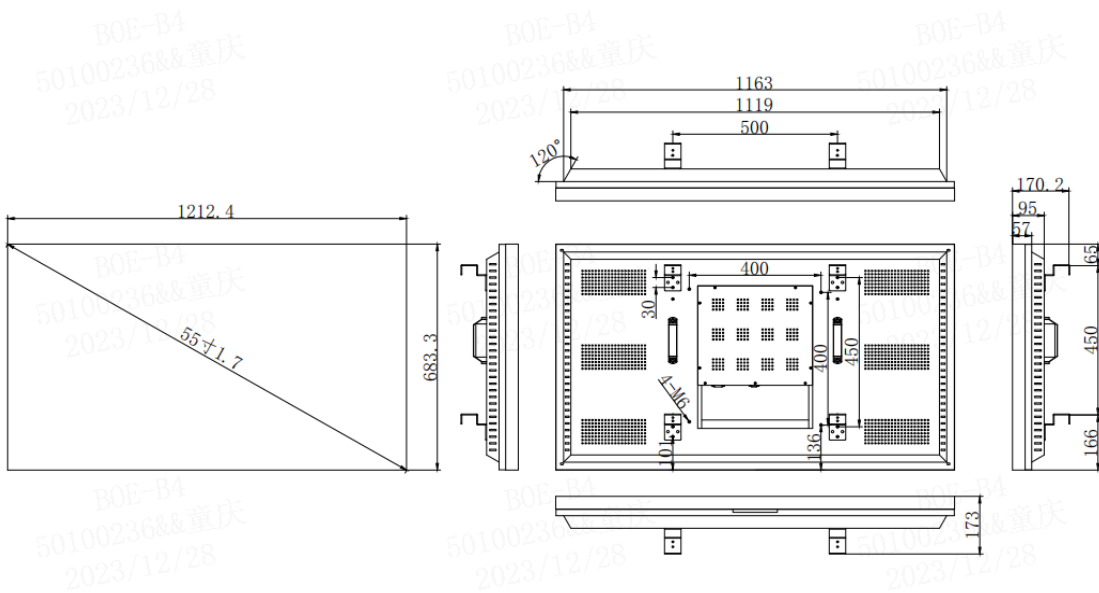
VESA Mounting(mm)

400 × 400mm

Dimension Drawing

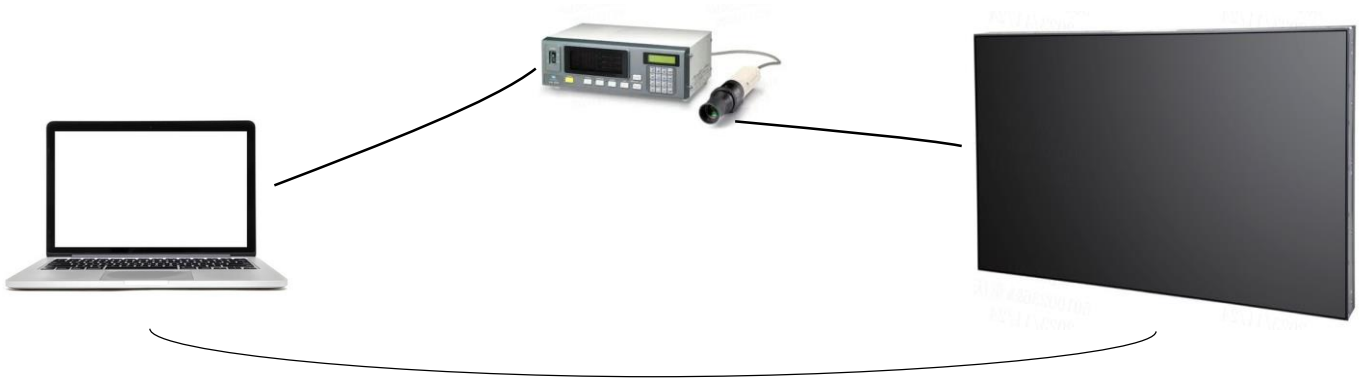
Unit: mm

VM55L-Z



Specification

Auto Gamma and HDR Calibration



Accessories List

Items	Qty.	Specifications
Video Wall Set	2	-
Power Cable	2	1.5M, European Standard
LAN cable	2	1.5M
Remote Controller	1	w/o Battery
RJ45 to RS232 Adapter	1	DB9
IR Receiver	1	1M
Wall Mounting Hook	8	40*40MM
Screw for Hook Adjustment	24	M6*20
Screw for Hook Fixing	20	M6*10
Instruction Manual	1	A5