

SLAP-PBMM04****65"/75"****500nits Monitor Digital Signage**

Key Feature

- UHD Resolution
- 500nits
- 7 × 24 Operation
- HDMI Input
- USB Media Playback
- Built-In Speaker 2* 10W
- Slim and Light Design
- VESA Mounting Interface
- CEC control

Specification

Model	SL65AP-PBMM04	SL75AP-PBMM04
Display		
Screen Size (Diagonal)	65 inch	75 inch
Native Resolution	3840 (H) × 2160 (V)	
Aspect Ratio	16 : 9	
Brightness	500 cd/m ²	
Contrast	≥ 1200:1	≥ 1200:1
View Angle	178°(H) / 178°(V)	
Display Color	16.7M	
Response Time	8ms	8ms
Operation Time	7 × 24H	
Life Time (Light Source)	50,000 Hrs (Typ.)	

Interface		
Input	HDMI 2.0 x 3 (CEC)	
Output	Earphone	
External Control	-	
Networks	-	
Others	USB 2.0 × 1	
Built-In Speaker	10W × 2 (MAX)	

Internal Player		
O/S	-	
CPU	MSD3683	
GPU	-	
RAM/ROM	-	

Power		
Power Supply	AC 100~240V 50/60Hz	
Power Consumption	≤ 200W	≤ 260W
Standby	≤ 0.5W	

Environment		
Operation Temperature	0°C~40°C	
Operation Humidity	20%~80% RH	
Storage Temperature	-20°C~60°C	
Storage Humidity	10%~80% RH	

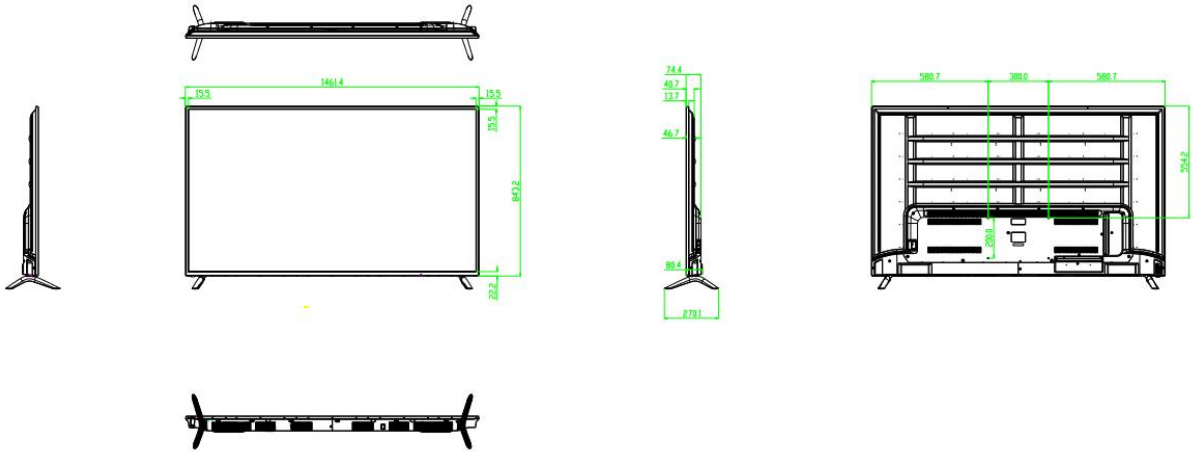
Specification

Model	SL65AP-PBMM04	SL75AP-PBMM04
Physical		
Color	Black	
On bezel (mm)	15.5(L/R/T) 22.2(B)	15.4(L/R/T) 18.7(B)
Tempered Glass	-	
Body Dimension w/o Stand (W×H×D, mm)	1461*843*81	1683*965*85
Set Weight w/o Stand	18.5 Kg	25 Kg
Package Dimension (W×H×D, mm)	1556*934*154	1813*1085*210
Package Weight	24 Kg	32 Kg
VESA Mounting	300 × 200mm	400 × 300mm

Dimension Drawing

SL65AP-PBMM04

Unit: mm



Dimension Drawing

SL75AP-PBMM04

