

SLAP-PBMA04****43”/50”/55”****500nits Android SoC Digital Signage**

Key Feature

- UHD Resolution
- 500nits
- 7×24 Operation
- Android 9.0
- Cortex-A35*4 Core
- 10W*2 Built-In Speaker
- Slim and light Design
- Landscape & Portrait Installation Support
- VESA Mounting Interface
- HDMI no signal standby, Automatic wake-up
- Timing switcher
- CEC control

Specification

Model	SL43AP-PBMA04	SL50AP-PBMA04	SL55AP-PBMA04
Display			
Screen Size (Diagonal)	43 inch	50 inch	55 inch
Native Resolution	3840 (H) × 2160 (V)		
Aspect Ratio	16 : 9		
Brightness	500 cd/m ²		
Contrast	≥ 1200:1		
View Angle	178°(H) / 178°(V)		
Display Color	16.7M		
Response Time	8ms		
Operation Time	7 × 24H		
Life Time (Light Source)	50,000 Hrs (Typ.)		
Interface			
HMDI	HDMI in 2.0 x 1		
Earphone	3.5mm x 1		
RJ45	LAN × 1(10/100M)		
WIFI	2.4GHz IEEE 802.11b/g/n		
USB	USB 2.0 × 1 , USB3.0 × 1		
Built-In Speaker	10W × 2		
System			
O/S	Android 9.0		
CPU	Cortex-A35*4 Core@2GHz		
GPU	ARM Mali-G31 MP2 800MHz		
RAM/ROM	2GB / 16GB (32GB optional)		
Power			
Power Supply	AC 100~240V 50/60Hz		
Power Consumption	≤70W	≤ 138W	≤ 168W
Standby	≤0.5W		
Environment			
Operation Temperature	0℃~40℃		
Operation Humidity	20%~80% RH		
Storage Temperature	-20℃~60℃		
Storage Humidity	10%~80% RH		

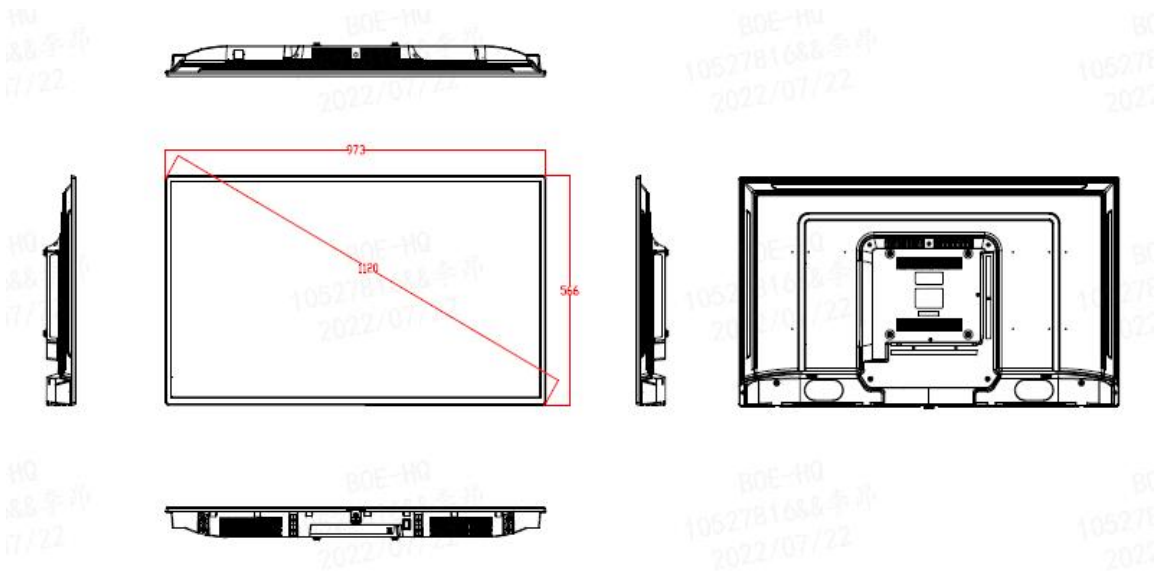
Specification

Model	SL43AP-PBMA04	SL50AP-PBMA04	SL55AP-PBMA04
Physical			
Color	Black		
On Bezel (mm)	15(L/R/T) 20(B)	10(L/R/T) 18(B)	8(L/R/T) 18(B)
Tempered Glass	-		
Body Dimension w/o Stand (W×H×D, mm)	973*566*70	1131*659*79	1244*723*81
Set Weight w/o Stand	6.5 Kg	10.5 Kg	12.5 Kg
Package Dimension (W×H×D, mm)	1025x610x128	1184x709x141	1320x796x158
Package Weight	9 Kg	12 Kg	16 Kg
VESA Mounting	200 × 200	200 × 200	200 × 200

Dimension Drawing

Unit: mm

SL43AP-PBMA04

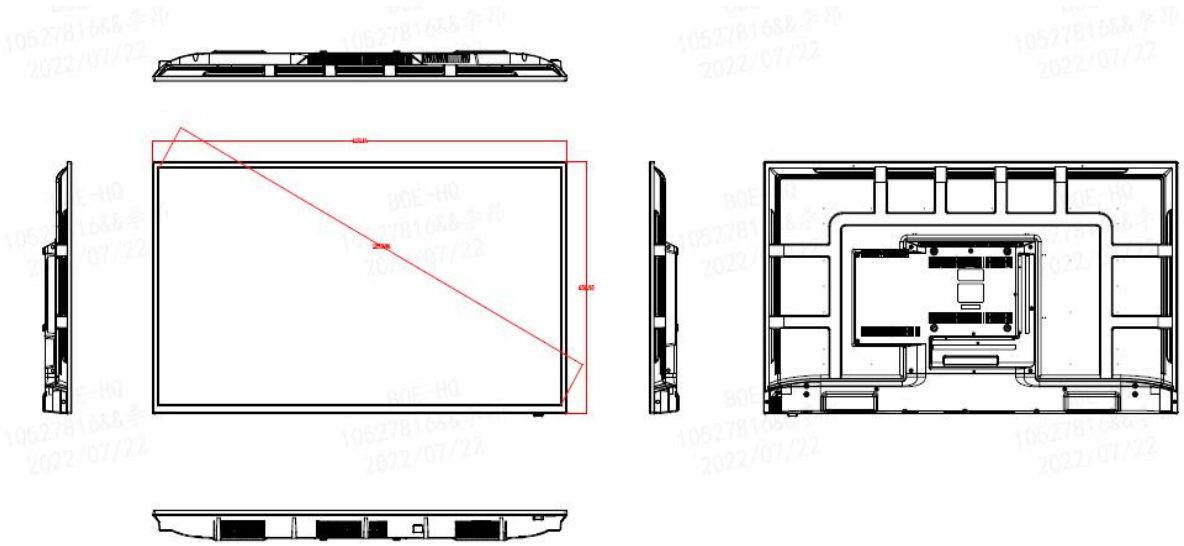


Specification

Dimension Drawing

Unit: mm

SL50AP-PBMA04



SL55AP-PBMA04

