

SLAP-PBMA04****65"/75"****500nit Android SoC Digital Signage**

Key Feature

- UHD Resolution
- 500nits
- 7×24 Operation
- Android 9.0
- Cortex-A35*4 Core
- 10W*2 Built-In Speaker
- Slim and light Design
- Landscape & Portrait Installation Support
- VESA Mounting Interface
- HDMI no signal standby, Automatic wake-up
- Timing switcher
- CEC control

Specification

Model	SL65AP-PBMA04	SL75AP-PBMA04
Display		
Screen Size (Diagonal)	65 inch	75 inch
Native Resolution	3840 (H) × 2160 (V)	
Aspect Ratio	16 : 9	
Brightness	500 cd/m ²	
Contrast	≥ 1200:1	≥ 1200:1
View Angle	178°(H) / 178°(V)	
Display Color	16.7M	
Response Time	8ms	8ms
Operation Time	7 × 24H	
Life Time (Light Source)	50,000 Hrs (Typ.)	

Interface		
Input	HDMI in 2.0 x 1	
Output	Earphone × 1	
External Control	-	
Networks	LAN × 1 / WiFi	
Others	USB 2.0 × 1, USB 3.0 × 1	
Built-In Speaker	10W × 2	

Internal Player		
O/S	Android 9.0	
CPU	Cortex-A35*4 Core@2GHz	
GPU	ARM Mali-G31 MP2 800MHz	
RAM/ROM	2GB / 16GB (32GB optional)	

Power		
Power Supply	AC 100~240V 50/60Hz	
Power Consumption	≤ 200W	≤ 260W
Standby	≤ 0.5W	

Environment		
Operation Temperature	0°C~40°C	
Operation Humidity	20%~80% RH	
Storage Temperature	-20°C~60°C	
Storage Humidity	10%~80% RH	

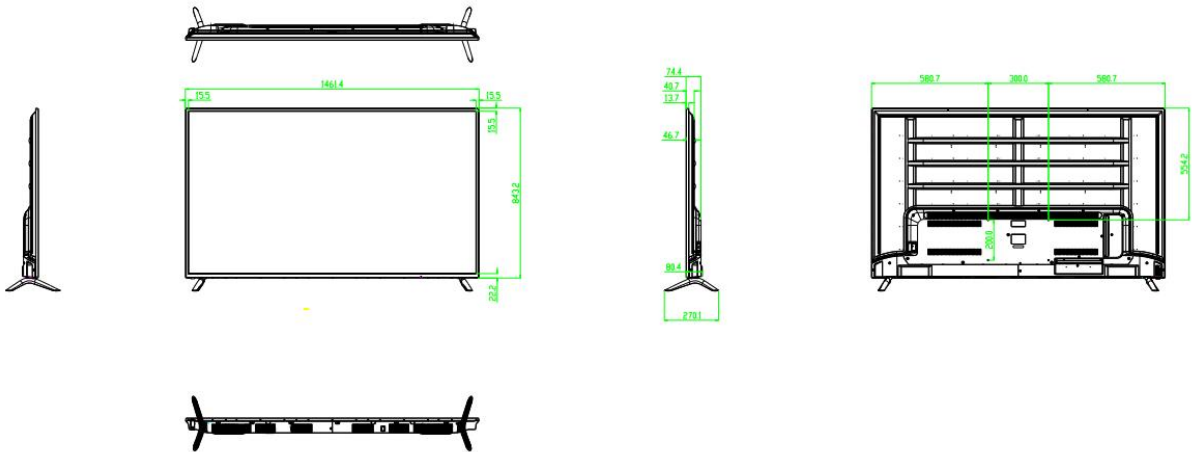
Specification

Model	SL65AP-PBMA04	SL75AP-PBMA04
Physical		
Color	Black	
On bezel (mm)	15.5(L/R/T) 22.2(B)	15.4(L/R/T) 18.7(B)
Tempered Glass	-	
Body Dimension w/o Stand (W×H×D, mm)	1461.4x843.2x80.4	1683x965x85
Set Weight w/o Stand	18.5 Kg	25 Kg
Package Dimension (W×H×D, mm)	1556*934*154	1813*1085*210
Package Weight	24 Kg	32 Kg
VESA Mounting	300 × 200mm	400 × 300mm

Dimension Drawing

SL65AP-PBMA04

Unit: mm



Dimension Drawing

SL75AP-PBMA04

