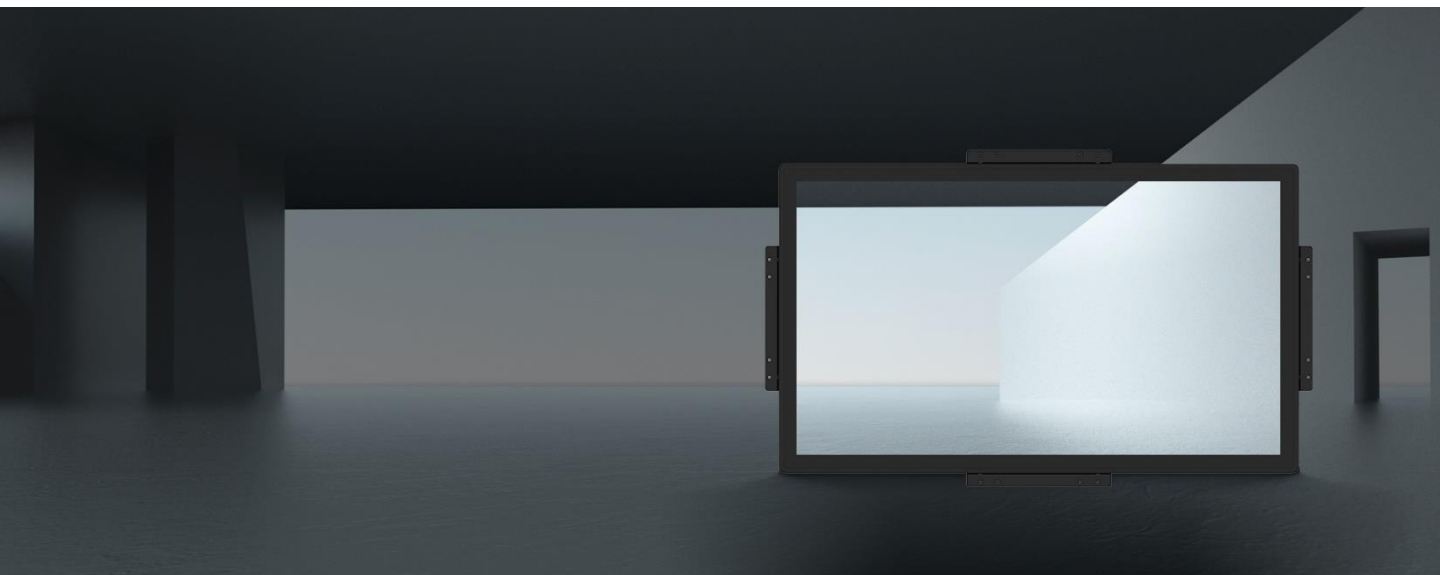


## Open Frame Touch Signage - Monitor



### Key Feature

- 3840×2160/ 1920x1080 physical resolution
- 10 Points Capacitive Touch
- HDMI input
- Built-In Speakers
- Industrial grade components
- Open frame design for Embed Installation

## Specification

### Display

|                                   |                   |         |         |             |         |         |
|-----------------------------------|-------------------|---------|---------|-------------|---------|---------|
| <b>Model</b>                      | FT22M             | FT27M   | FT32M   | FT43M       | FT49M   | FT55M   |
| <b>Screen Size</b>                | 21.5 inch         | 27 inch | 32 inch | 43 inch     | 49 inch | 55 inch |
| <b>Native Physical Resolution</b> | 1920 x 1080       |         |         | 3840 x 2160 |         |         |
| <b>LCD Tech</b>                   | ADS               |         |         |             |         |         |
| <b>Brightness</b>                 | 500nit            |         |         |             |         |         |
| <b>Contrast</b>                   | 1200 :1           |         |         |             |         |         |
| <b>View Angle</b>                 | 178°(H) / 178°(V) |         |         |             |         |         |
| <b>Display Color</b>              | 1.07B             |         |         |             |         |         |
| <b>Life Time</b>                  | 50,000 hrs        |         |         |             |         |         |

### Interface

|                         |             |
|-------------------------|-------------|
| <b>USB</b>              | × 1         |
| <b>HDMI</b>             | × 1         |
| <b>VGA</b>              | × 1         |
| <b>DVI</b>              | × 1         |
| <b>Built-In Speaker</b> | 5W × 2 (8Ω) |

### Touch

|                            |                            |
|----------------------------|----------------------------|
| <b>Touch Type</b>          | 10 Points Capacitive Touch |
| <b>Touch Method</b>        | Finger                     |
| <b>Touch Accuracy</b>      | ≤2mm                       |
| <b>Touch Response Time</b> | <4ms                       |
| <b>Light Transmission</b>  | ≥85%                       |

### Power

|                              |                     |      |      |      |      |      |
|------------------------------|---------------------|------|------|------|------|------|
| <b>Power supply</b>          | AC110-240V(50/60Hz) |      |      |      |      |      |
| <b>Power consumption</b>     | 60W                 | 65W  | 110W | 125W | 150W | 180W |
| <b>Power of Standby Mode</b> | 0.5W                | 0.5W | 0.5W | 0.5W | 0.5W | 0.5W |

### Environment

|                              |            |
|------------------------------|------------|
| <b>Operation temperature</b> | 0°C~40°C   |
| <b>Operation humidity</b>    | 10%~80% RH |

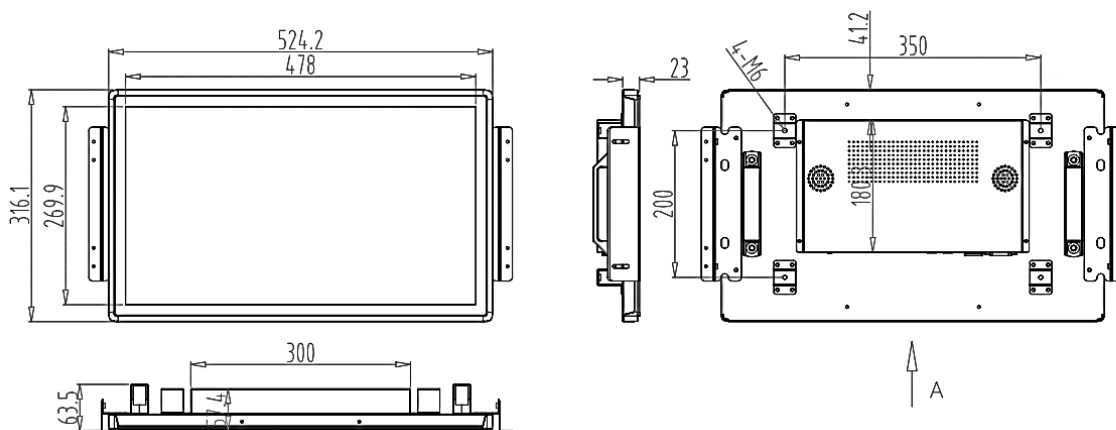
## Specification

### Physical

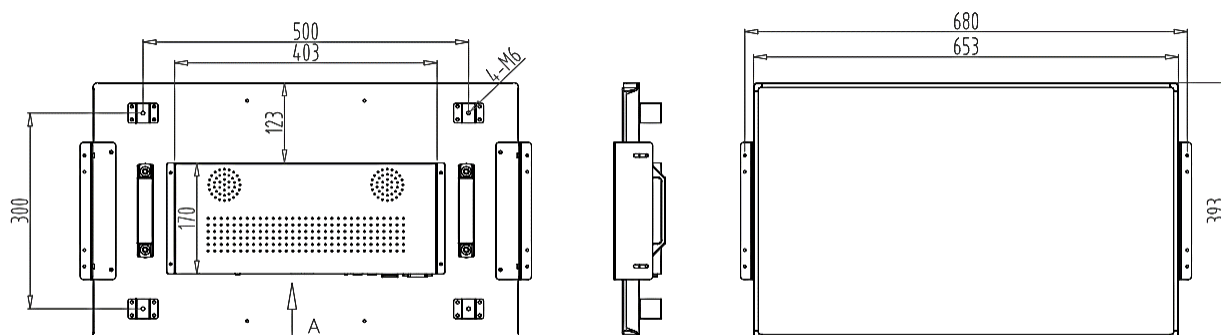
| Model                 | FT22M                | FT27M            | FT32M            | FT43M             | FT49M             | FT55M             |
|-----------------------|----------------------|------------------|------------------|-------------------|-------------------|-------------------|
| Color                 | Black                |                  |                  |                   |                   |                   |
| Body Dimension (mm)   | 524.2 x 316.1 x 63.5 | 653 x 393 x 60.2 | 753 x 447 x 70.1 | 1012 x 600 x 72.2 | 1145 x 675 x 72.4 | 1287 x 770 x 72.2 |
| Set Weight            | 6.7kg                | 10.9kg           | 14.6kg           | 23.9kg            | 27.5 kg           | 36.1 kg           |
| Package Dimension(mm) | 685 x 450 x 215      | 815 x 530 x 235  | 910 x 577 x 240  | 1170 x 730 x 240  | 1305 x 805 x 240  | 1440 x 900 x 240  |
| Package Weight        | 10.2kg               | 15.6kg           | 20.5kg           | 31.2kg            | 35.3 kg           | 45.6 kg           |
| Mounting Holes        | 350x200              | 500x300          | 500x300          | 600 x 400         | 500 x 400         | 500x400           |

### Dimension Drawing

FT22M



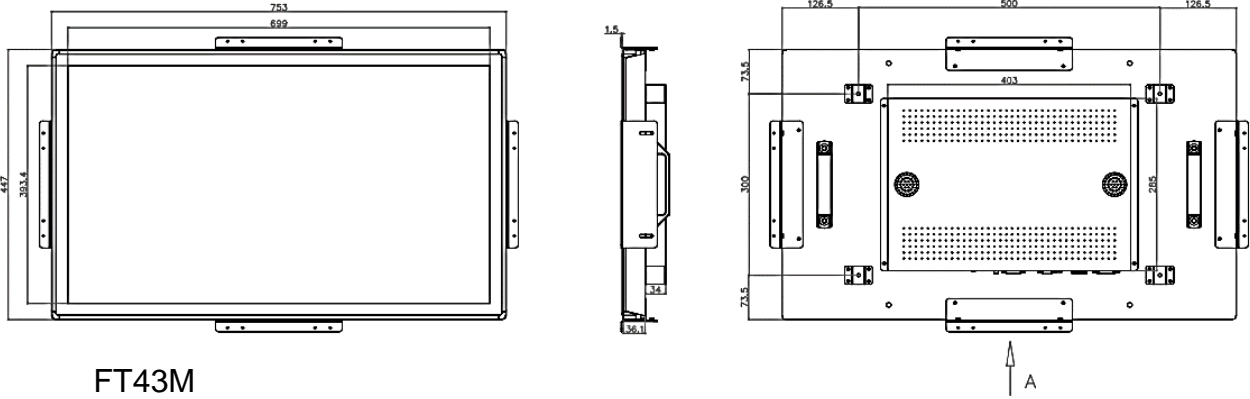
FT27M



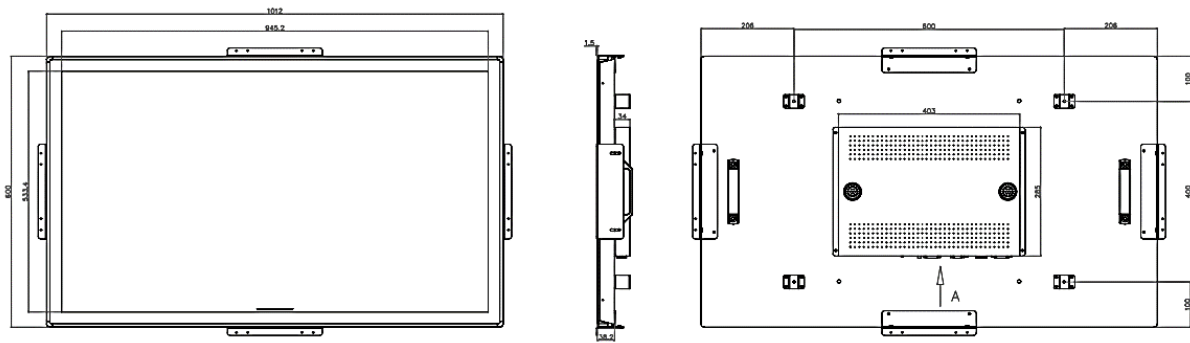
## Specification

### Dimension Drawing

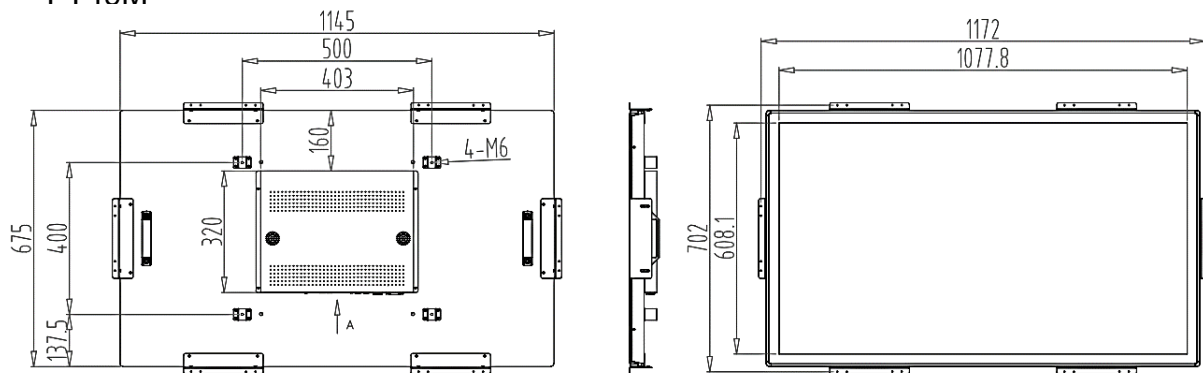
FT32M



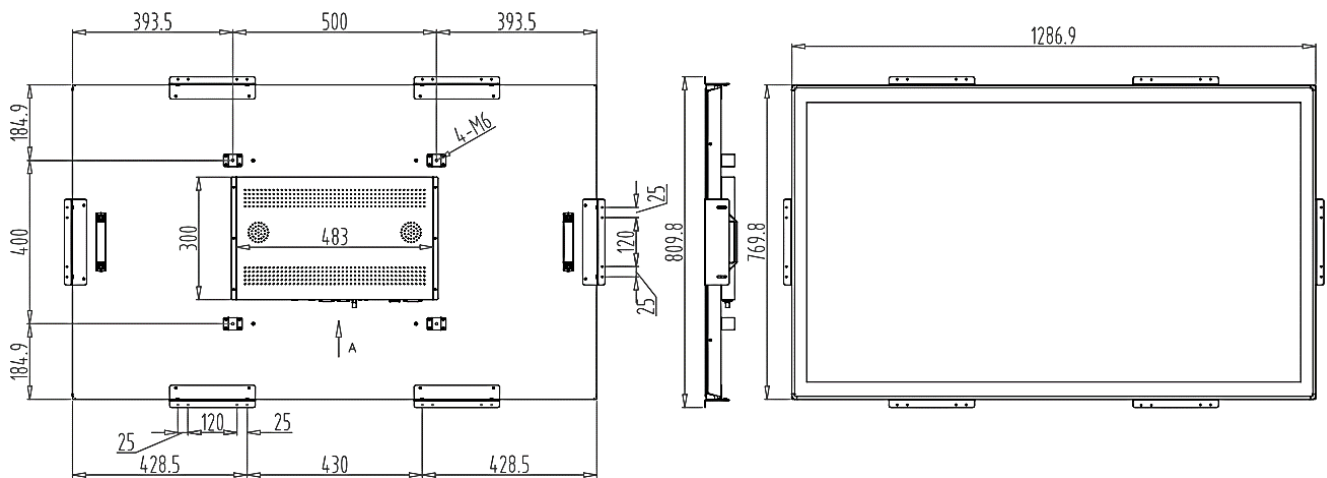
FT43M



FT49M



FT55M



## Specification

### Accessories Lists

| No. | Parts             | Qty | Specification |
|-----|-------------------|-----|---------------|
| 1   | Power cord        | 1   | 1.5m          |
| 2   | Remote controller | 1   | -             |
| 3   | User manual       | 1   | -             |