

SLAP-FBMA04****65"/75"****500nit Android SoC Digital Signage**

Key Feature

- UHD Resolution
- 500nits
- 7×24 Operation
- Android 9.0
- Cortex-A35*4 Core
- 10W*2 Built-In Speaker
- Slim and light Design
- Landscape & Portrait Installation Support
- VESA Mounting Interface
- HDMI no signal standby, Automatic wake-up
- Timing switcher
- CEC control

Specification

Model	SL65AP-FBMA04	SL75AP-FBMA04
Display		
Screen Size (Diagonal)	65 inch	75 inch
Native Resolution	3840 (H) × 2160 (V)	
Aspect Ratio	16 : 9	
Brightness	500 cd/m ²	
Contrast	≥ 1200:1	≥ 1200:1
View Angle	178°(H) / 178°(V)	
Display Color	16.7M	
Response Time	8ms	8ms
Operation Time	7 × 24H	
Life Time (Light Source)	50,000 Hrs (Typ.)	

Interface		
Input	HDMI in 2.0 x 1	
Output	3.5mm x 1	
External Control	LAN × 1(10/100M)	
Networks	2.4GHz IEEE 802.11b/g/n	
Others	USB 2.0 × 1 , USB3.0 × 1	
Built-In Speaker	10W × 2 (Max)	

Internal Player		
O/S	Android 9.0	
CPU	Cortex-A35*4 Core@2GHz	
GPU	ARM Mali-G31 MP2 800MHz	
RAM/ROM	2GB / 16GB (32GB optional)	

Power		
Power supply	AC 100~240V 50/60Hz	
Power consumption	≤ 200W	≤ 260W

Environment		
Operation Temperature	0°C~40°C	
Operation Humidity	20%~80% RH	
Storage Temperature	-20°C~60°C	
Storage Humidity	10%~80% RH	

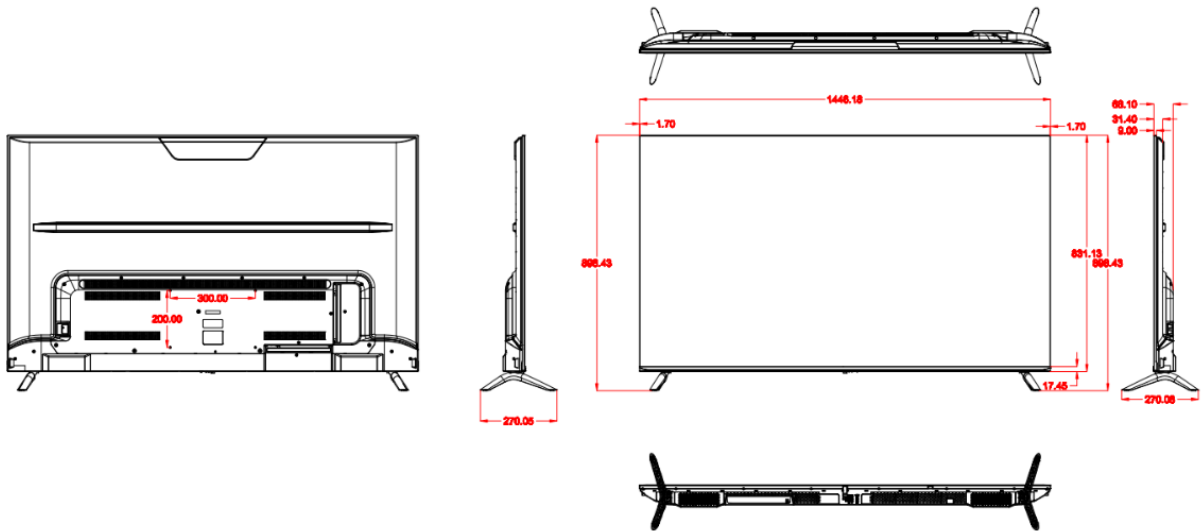
Specification

Model	SL65AP-FBMA04	SL75AP-FBMA04
Physical		
Color	Black	
On bezel (mm)	1.7(L/R/T) 17.5(B)	1.7(L/R/T) 18.2(B)
Tempered Glass	-	
Body Dimension w/o Stand (W×H×D, mm)	1446.2×68.1×831	1667×80.7×956.8
Set Weight w/o Stand	18.5 Kg	25Kg
Package Dimension (W×H×D, mm)	1541×142×922	1795×204×1075
Package Weight	25 Kg	32Kg
VESA Mounting	300 × 200mm	400 × 300mm

Dimension Drawing

Unit: mm

SL65AP-FBMA04



Dimension Drawing

SL75AP-FBMA04

